



BRASS COMPRESSION GLANDS

SANS 1213:2000



TUFFLON COMPRESSION GLANDS

FEATURES & BENEFITS

- Two ranges available
 - Heavy duty brass glands
 - Tufflon plastic glands
- Design eliminates "cable damaging weak-back bushes"
- Each gland size accommodates a very wide range of cable sizes.
- Tufflon glands are tough, chemical resistant & will not jump threads
- Neat and lightweight, will take a lot of punishment
- Can also accommodate Flat Twin & Earth and Aerial Bundled cables
- No shrouds necessary



BS EN ISO 9001 CERTIFIED

ACCESSORIES

PRATLEY SPECIAL THREAD AND OR EXTENDED NIPPLE COMPRESSION GLANDS

When large quantities are involved, it is possible to supply brass glands with a nipple thread to order. Sizes 0 and 1 glands with Pg threads are however stocked as standard (see table). Alternatively, the corresponding Adjustable Gland may be easily fitted with a thread adaptor (Pg or Imperial) and a compression conversion kit. These are all stock items.

SPECIAL TREAD COMPRESSION GLANDS			
Gland size	0	1	1
Nipple Thread	Pg. 13.5	Pg. 13.5	Pg. 16
Catalogue No.	60075	60076	60077
Usual Pack Qty.	10	10	10



NIPPLE SEALING GASKETS

Tough plastic gaskets incorporate a special face "feather" for perfect sealing.

TOUGH PLASTIC GASKETS (Black)						
Gasket size	20mm	25mm	32mm	40mm	50mm	63mm
Catalogue No.	39001	39002	39003	39004	39005	39006

Gasket size	75mm	16mm	Pg. 13.5	Pg. 16	25mm	Pg. 21	Pg. 29
Catalogue No.	39007	39008	39012	39010	39011	39013	39014
Usual Pack Qty.	100	100	100	100	100	100	100

BRASS LOCKNUTS

If using single core cable a brass locknut should be used. This is to prevent eddy current heating. Brass locknuts are available in all the gland sizes. Sizes 7 & 8 are however supplied with a brass locknut as a standard.



PRATLEY NICKEL-PLATED BRASS LOCKNUTS										
Size	00	0	1	2	3	4	5	6	7	8
Nipple Thread	16mm	20mm	20mm	25mm	32mm	40mm	50mm	63mm	75mm	3/4"
Catalogue No.	02879	02880	02880	02882	02883	02884	02885	02886	02118	02119

COMPRESSION GLANDS FOR AERIAL BUNDLED CABLES

A special version of No. 4 brass gland for use with Aerial Bundled cable incorporates a clover shaped bush. These glands are supplied complete with ABC Bush.



ABC COMPRESSION GLAND		
Gland size	4	4
ABC Size	35 mm ²	70 mm ²
Catalogue No.	12079	12079
Usual Pack Qty.	1	1

ADAPTOR BUSHES FOR FLAT TWIN AND EARTH CABLES

Pratley Brass Compression Glands and Tufflon Compression Glands may be adapted for use with Flat Twin and Earth cables by replacing the standard Compression Bush, supplied with the Gland, with a special Adaptor Bush.



ADAPTOR BUSHES FOR FLAT TWIN AND EARTH CABLES				
Gland size (Brass)	00	0 & 1	2	3
Gland size (Tufflon)	00 & 0s	0L & 1	2	3
Catalogue No.	12100	12101	12102	12103
Usual Pack Qty.	10	10	10	10

COMPRESSION KIT FOR INSTRUMENTATION CABLE (BRASS GLAND)

No. 0sxs kit reduces the capacity of No. 0 gland to accommodate small diameter (3-6 mm) instrumentation cable.



No. 0sxs COMPRESSION KIT FOR SIZE 0 BRASS GLAND	
Kit Size	0xs
Cable Diameter	3-6 mm
Catalogue No.	13071
Usual Pack Qty.	10

COMPRESSION KIT FOR INSTRUMENTATION CABLE (TUFFLON GLAND)

No. 0sxs kit reduces the capacity of No. 0s gland to accommodate small diameter (3-6 mm) instrumentation cable.



No. 0sxs COMPRESSION KIT FOR SIZE 0s TUFFLON GLAND	
Kit Size	0sxs
Cable Diameter	3-6 mm
Catalogue No.	13073
Usual Pack Qty.	10

PRATLEY ADJUSTABLE CABLE GLAND FITTED WITH A COMPRESSION CONVERSION KIT

Pratley Adjustable Glands are designed for SWA Cable. However all sizes can be easily converted for use with unarmoured cable. This, by means of an inexpensive **Compression Conversion Kit**. This system effectively reduces the gland inventory required in industrial plant stores. The loose nipple of an Adjustable Gland (size 1 and above) can be replaced with a longer nipple or a thread adaptor. This option is therefore also convenient for glanding unarmoured cable to apparatus with thick gland plates or Pg threads or imperial threads.

There are two sizes of kit for each size of gland. The correct kit is selected according to the outside diameter of the unarmoured cable. The conversion kit, replaces the Cone Bush of the Pratley Adjustable Gland.

SIZE SELECTION CHART - COMPRESSION CONVERSION KITS									
Size: Small	0S	1S	2S	3S	4S	5S	6S	7S	8S
Cat. No.	13074	13083	13084	13085	13086	13087	13088	13089	13090
Cable Min.	6.0	12.7	15.8	20.5	26.4	34.8	43.4	55.9	67.6
Cable Max.	9.4	14.3	17.3	23.3	30.6	38.0	49.6	60.6	69.9
Size: Large	0L*	1L	2L	3L	4L	5L	6L	7L	8L
Cat. No.	13075	13076	13077	13078	13079	13080	13081	13082	13091
Cable Min.	9.5	14.4	17.4	23.4	30.7	38.1	49.7	60.7	70.0
Cable Max.	12.6	15.7	20.4	26.3	34.7	43.3	55.8	67.5	73.8
Usual Pack Qty.	10	10	10	10	10	10	10	10	10

* NOTE: The No. 0L kit does not require a retaining washer. It is supplied with a tapered ring and rubber bush only.

BRASS NIPPLE

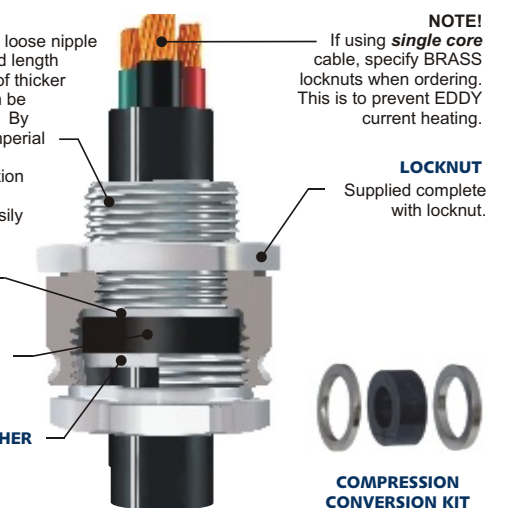
By replacing the loose nipple with an extended length nipple, a range of thicker gland plates can be accommodated. By adding Pg. or Imperial thread adaptor nipples, connection to non-standard equipment is easily made.

NOTE! If using **single core** cable, specify BRASS locknuts when ordering. This is to prevent EDDY current heating.

RETAINING WASHER (Part of kit)

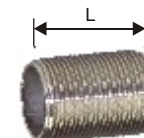
COMPRESSION BUSH (Part of kit)

TAPERED WASHER (Part of kit)



PRATLEY EXTENDED LENGTH NIPPLES

These nipples replace the standard nipple when required with exceptionally thick gland plates.



EXTENDED LENGTH NIPPLES					
Size	1	2	3	4	5
Nipple Thread	20mm	25mm	32mm	40mm	50mm
Length (mm)	31.0	35.0	39.0	45.0	52.5
Catalogue No.	79031	79032	79033	79034	79035
Usual Pack Qty.	25	25	10	10	2

PRATLEY THREAD ADAPTORS

Used to adapt the gland to Pg. or Imperial threaded entries. Adaptors replace the standard nipple on the gland so that the gland may be screwed directly into Pg. (DIN standard) or Imperial threaded entries. (See Pratley No. 0 Special Threaded Gland below).



Pg. ADAPTORS									
Size	1	1	1	2	2	2	3	3	4
To Pg. ?	13.5	16	21	13.5	16	21	21	29	29
Catalogue No.	29001	29003	29006	29002	29004	29007	29005	29008	29009
Usual Pack Qty.	10	10	10	10	10	10	10	10	10

Pg. ADAPTOR SIZES	
Pg. Size	Entry Ø (mm)
9	14.53
11	17.93
13.5	19.06
16	21.16
21	26.78
29	35.48

IMPERIAL ADAPTORS					
Size	1	1	2	3	4
To ?	3/4"	1"	1"	1 1/4"	1 1/2"
Catalogue Number	34026	34100	34027	34028	34029
Usual Pack Quantity	10	10	10	10	10



Pratley (Pty) Limited (Reg. No. 1996/003890/07)
An Affiliate of the Pratley group of companies
Jackson Street • Factoria • Krugersdorp • Gauteng
PO Box 3055, Kenmare 1745 • Gauteng • South Africa
Telephone +27 11 955 2190/8 • Fax +27 11 955 3918
www.pratley.com

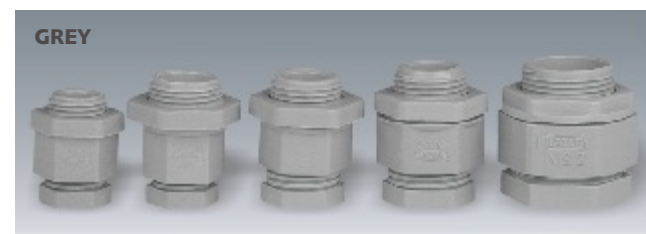
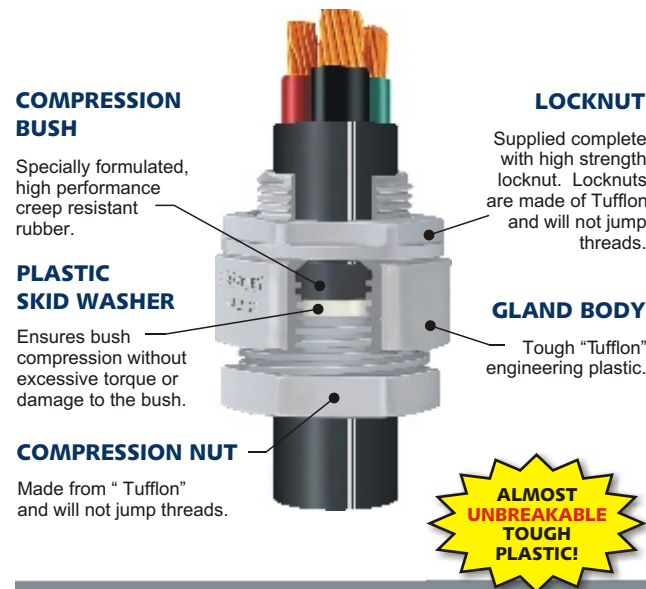
POLICY STATEMENT

"It is Pratley policy to manufacture and market products, the performance of which, must at all times exceed that of any other directly competing product on the world market!"

We invite you to put this statement to the test."

KGM Pratley
CEO

PRATLEY TUFFLON COMPRESSION GLANDS



These are real "toughies"! They maintain an IP seal, are chemical resistant and will not jump threads when tightened. Typically used on appliances, in chemical plants, in sewerage plants, in abattoirs and similar. For cables smaller than 4.0 mm a special N^o 0sxs (0s Extra small) compression kit can be used. (See accessories Pg. 4)

IP seal means equipment protection when washing down or when condensation is present.

TUFFLON GLAND SELECTION TABLE						
Gland Size	00	0s	0L	1	2	
Nipple Thread (mm)	16.0	20.0	20.0	20.0	25.0	
Cable Dia. Range (mm)	Min.	4.0	4.0*	6.5	8.5	13.0
	Max.	9.0	9.0	11.0	13.0	19.2
Cat. N ^o WHITE	75101	75107	75102	75103	75108	
Cat. N ^o GREY	75001	75007	75002	75003	75008	
Cat. N ^o BLACK	75201	75202	75203	75204	75205	

* Can be reduced to 3 mm by using a N^o 0sxs (N^o 0s Extra small) Compression Kit (see accessories Pg. 4).

PRATLEY BRASS COMPRESSION GLANDS



These Glands are manufactured from nickel plated brass and will accommodate all circular cables with outside diameters from 6.5 mm to 73.8 mm (See Pg. 4 for non circular cables). For cables smaller than 6.5 mm a special N^o 0xs kit can be used. The N^o 0xs kit reduces the N^o 0 gland to accommodate small diameter (3 - 6 mm) instrumentation cable. (See accessories Pg. 4)

There are 13 sizes of Heavy duty Brass Compression Glands ranging from No. 00 to No. 8L. (See table below.)

UNIQUE CLAMPING SYSTEM

Pratley Brass Compression Glands employ unique retaining washers. This simple system enables them to accommodate the widest possible range of cable sizes - without compromising performance and without using "cable damaging weak-back bushes"! For the smaller size cables, two metal retaining washers are used. For larger cables a single plastic skid washer (supplied with the gland) is used.

By using either the metal washers or the single plastic washer an exceptionally wide range of cable sizes is conveniently accommodated by each gland size.

SPECIAL THREADS AND LONG NIPPLES

Size N^o 0 and N^o 1 glands are available ex-stock with Pg threads. **Special threads (Pg or Imperial) can also be accommodated by using Pratley Adjustable glands fitted with compression conversion kits and thread adaptors.** These glands can also be fitted with long nipples for exceptionally thick gland plates. (See Pg. 4)

WATERPROOFING

Pratley Compression Glands automatically seal the bore of the gland against the ingress of moisture. Waterproofing Shrouds are therefore not necessary.

BRASS GLAND SELECTION TABLE • SIZES 00 - 5								
Gland size	00	0s	0	1	2	3	4	5
Nipple Thread (mm)	16.0	20.0	20.0	20.0	25.0	32.0	40.0	50.0
Cable Dia. Range (mm)	Min.	6.5*	6.5	8.0	9.0	14.0	18.0	24.0
	Max.	9.2	9.2	11.1	14.7	19.9	27.3	35.0
Catalogue N ^o	12067	12066	12068	12069	12070	12071	12072	12074

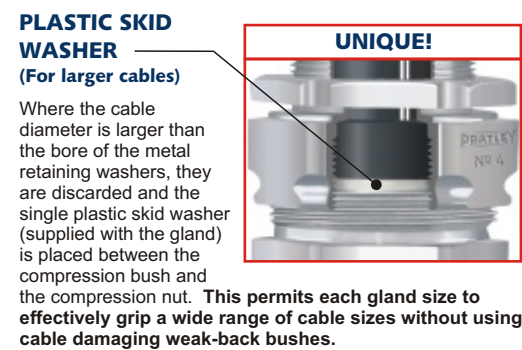
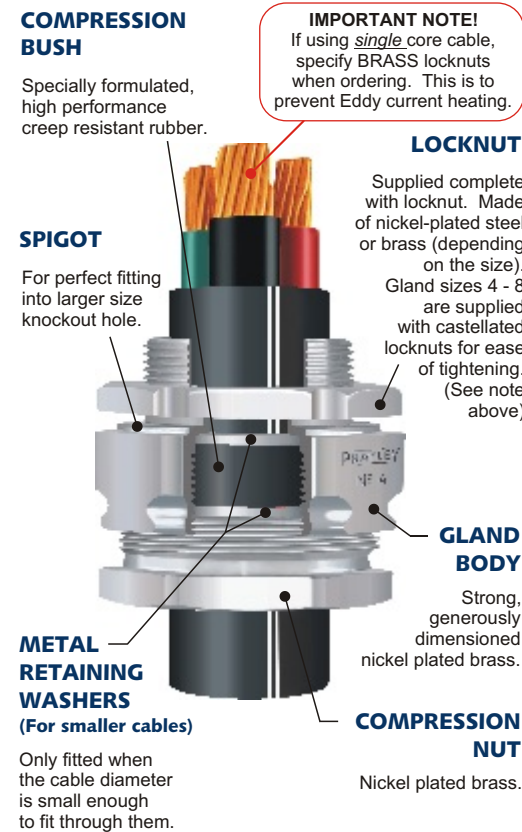
BRASS GLAND SELECTION TABLE • SIZES 6S - 8L						
Gland size	6s	6L	7s	7L	8s	8L
Nipple Thread	63 mm	63 mm	75 mm	75 mm	3 1/4"	3 1/4"
Cable Dia. Range (mm)	Min.	43.4	49.7	55.9	60.7	67.6
	Max.	49.6	55.8	60.6	67.5	69.9
Catalogue N ^o	12075	12076	12077	12078	12086	12087

* For smaller cables see accessories Pg. 4 (Compression Kits).

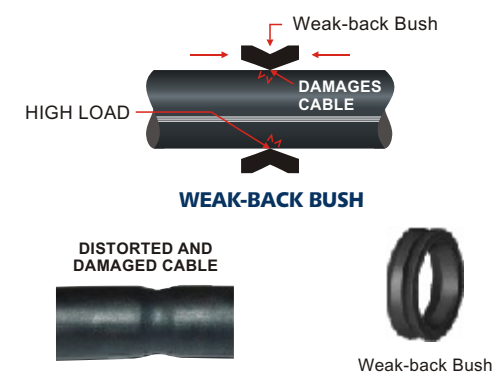
IMPORTANT NOTE!

When using **SINGLE CORE CABLE**, specify **BRASS** locknuts. This is to prevent Eddy current heating of the steel lock nuts!

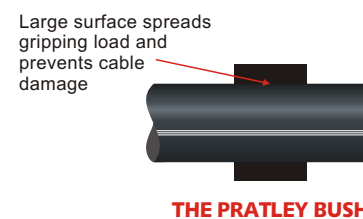
BRASS COMPRESSION GLAND



DO AWAY WITH "CABLE DAMAGING WEAK-BACK BUSHES"

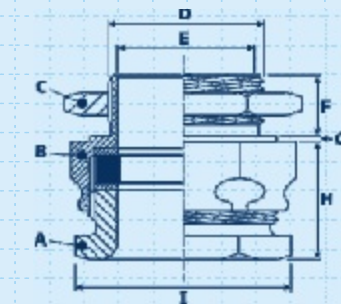


A BETTER SOLUTION



This superior "cable friendly" bush design is made possible by employing the unique Pratley clamping system.

DIMENSIONS & SPECIFICATIONS BRASS COMPRESSION GLANDS



PACKAGING DATA				
Gland size	Glands per Pack	Packs per Carton	Carton Dimensions (mm)	Weight (kg) per Pack
00	50	10	260 x 260 x 170	1.90
0s	50	10	260 x 260 x 170	1.95
0	10	10	145 x 160 x 145	0.56
1	10	10	170 x 155 x 180	0.72
2	10	10	170 x 205 x 190	1.18
3	5	N/A	220 x 50 x 50	0.96
4	5	N/A	270 x 65 x 55	1.84
5	2	N/A	135 x 80 x 65	1.16
6s	1	18	260 x 260 x 170	1.24
6L	1	18	260 x 260 x 170	1.22
7s	1	6	260 x 260 x 170	2.10
7L	1	6	260 x 260 x 170	2.06
8s	1	5	260 x 260 x 170	2.26
8L	1	5	260 x 260 x 170	2.24

DIMENSIONS (mm)												
Gland size		00	0s	0	1	2	3	4	5	6	7	8
A - Compression Nut	A/F	17.0	17.0	19.0	22.0	30.0	37.5	50.0	60.0	82.0	95.2	102.0
	A/C	19.6	19.6	21.9	25.4	34.6	42.7	57.7	69.3	94.7	109.9	117.8
B - Body	A/F	19.0	22.0	22.0	24.5	32.0	40.0	52.0	63.0	82.0	95.2	102.0
	A/C	21.9	25.4	25.4	28.3	37.0	46.2	60.0	72.7	94.7	109.9	117.8
C - Locknut	A/F	19.0	27.0	27.0	27.0	35.0	41.0	55.0	65.0	80.0	95.0	96.6
	A/C	21.9	31.2	31.2	31.2	40.4	47.3	63.5	75.0	92.4	109.7	111.5
D - Nipple Thread		M16	M20	M20	M20	M25	M32	M40	M50	M63	M75	3 1/4"
E - Nipple Bore		9.2	9.2	11.1	14.7	19.9	27.3	35.0	44.0	56.0	67.7	74.0
F - Nipple Length		8.0	8.0	8.0	9.6	12.8	12.8	16.0	16.0	35.0	42.0	43.0
G - Spigot		N/A	N/A	N/A	1.5	1.5	1.5	1.5	1.5	2.0	2.0	2.4
H - Max Protrusion		20.0	20.0	22.6	23.2	23.6	29.2	35.1	41.6	59.9	74.8	75.1
F + G + H - Overall Length		28.0	28.0	30.6	34.3	37.9	43.5	52.6	59.1	96.9	118.8	120.5
I - Overall Diameter - A/C		21.9	31.2	31.2	31.2	40.4	47.3	63.5	75.0	94.7	109.9	117.8

BRASS COMPRESSION GLAND SPECIFICATION GUIDE

The compression gland must:

- Not employ a weak-back bush design.
- Comply with SANS 1213 for mechanical cable glands.
- Be manufactured from brass and be nickel plated.
- Be supplied complete with locknuts.
- Gland sizes 4 and above to have castellated locknuts.
- Be supplied with a plastic skid washer and metal retaining washers.
- Have a male thread Compression Nut.

TUFFLON COMPRESSION GLANDS

DIMENSIONS (mm)						
Gland size		00	0s	0L	1	2
A - Compression Nut	A/F	17.0	17.0	19.0	22.0	30.0
	A/C	19.6	19.6	21.9	25.4	34.6
B - Body	A/F	19.0	19.0	22.0	25.6	33.0
	A/C	21.9	21.9	25.4	29.6	38.1
C - Locknut	A/F	22.0	27.0	27.0	27.0	31.0
	A/C	25.4	31.2	31.2	31.2	35.8
D - Nipple Thread		M16	M20	M20	M20	M25
E - Nipple Bore		9.0	9.0	11.0	13.0	19.2
F - Nipple Length		10.0	10.0	10.0	13.0	12.7
G - Spigot		N/A	N/A	N/A	0.8	1.0
H - Max Protrusion		19.5	20.3	21.1	22.0	23.8
I - Overall Diameter - A/C		25.4	31.2	31.2	31.2	38.1

TUFFLON COMPRESSION GLAND SPECIFICATION GUIDE

The Plastic compression gland must:

- Not employ a weak-back bush design.
- Be supplied complete with locknut.
- Be made from tough engineering plastic "Tufflon".
- Not jump threads when tightened.
- Incorporate a skid washer.
- Have a male thread compression nut.

PACKAGING DATA				
Gland size	Glands per Bag	Bags per Carton	Carton Dimensions (mm)	Weight (kg) per Bag
00	50	20	340 x 315 x 235	0.36
0s	50	16	340 x 315 x 235	0.48
0L	50	16	340 x 315 x 235	0.54
1	50	12	340 x 315 x 235	0.62
2	25	16	340 x 315 x 235	0.42

(Glands are packed in plastic bags)