



Conduit
High Flexibility – High Fatigue Life

Construction
Stainless Steel – Corrosion Resistant



Metallic TYPE SS

Applications Food Industry
Railway
Corrosive Environments

Fittings
IP40 – Type S Fittings – Type A, B, C & F

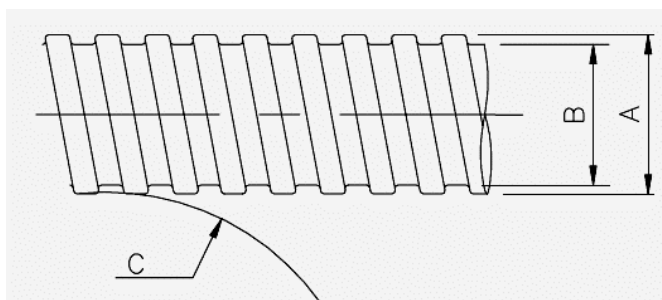
Characteristics High UV Resistance
High Flexibility
High Fatigue Life
Halogen Free
Inherent Low Fire Hazard

Approvals
CE LVD
ILFH
IEC 61386

Material Stainless Steel



Part No.	Conduit Size			Dimensions				
	NC	NW	Pitch	(B) Inside Diameter	(A) Outside Diameter	Reel Length	(C) Min Bend Radius	Colour
SS03	03	-	-	3.2	5.3	20	20	SELF
SS05	05	-	-	4.8	7.0	20	38	SELF
SS08	08	-	-	8.0	11.0	10	50	SELF
SS10	10	-	-	6.8	9.0	25, 50	25	SELF
SS12	12	-	-	10.3	13.0	25, 50	30	SELF
SS16	16	-	-	13.0	16.0	10, 25, 50	35	SELF
SS20	20	-	-	16.9	20.5	10, 25, 50	45	SELF
SS25	25	-	-	21.4	25.0	10, 25, 50	55	SELF
SS32	32	-	-	28.1	32.0	10, 25	60	SELF





Conduit
High Flexibility – High Fatigue Life

Construction
Stainless Steel – Corrosion Resistant



Metallic TYPE SS

Mechanical Properties

Test Type	Method/Standards	Requirements	Value
Crush Strength	IEC61386-1	<25% crush >90% recovery	2550 N
Impact Strength	IEC61386-1	No Cracks. <20% deformation	20 J
Impact Strength	IEC61386-1	No Cracks. <20% deformation	6 J
Tensile	IEC61386-1	With S Type Fittings	1700 n
Dynamic Bend radius	AFX norm S1985	-	45mm

Thermal Properties

Test Type	Method/Standards	Requirements	Value
Minimum Temperature	-	Permanent use	-60 °C
Maximum Temperature	-	Permanent use	350 °C
Dynamic bend radius @ -45 °C	IEC61386-2-3	5000 Cycles @ 40mm	

Pre test Conditions

Duration	Standard	Temperature	Relative Humidity
168 (Hours)	EN50086/IEC61386	23 (°C)	50 (%)



Conduit
High Flexibility – High Fatigue Life

Construction
Stainless Steel – Corrosion Resistant



Metallic TYPE SS

Chemical Properties

Suitable

Limited Suitability

Astm No.1		Methanol	
Astm No.2		Methyl Bromide	
Astm No.3		MEK	
Acetic Acid (10%)		Nitric Acid (10%)	UNSUITABLE
Acetone		Nitric Acid (70%)	UNSUITABLE
Aluminium Chloride		Oxalic Acid	
Aniline		Ozone (Gas)	
Benzaldehyde		Paraffin oil	
Benzene		Petrol	
Carbon tetrachloride		Phenol	
Chlorine water	UNSUITABLE	Sea Water	
Chloroform		Silver Nitrate	
Citric Acid		Skydrol	
Copper Sulphate		Sodium Chloride	
Cresol		Sodium Hydroxide (10%)	
Diesel oil		Sodium Hydroxide (60%)	
Diethylamine		Sulphur Dioxide (Gas)	UNSUITABLE
Ethanol		Sulphuric Acid (10%)	UNSUITABLE
Ether		Sulphuric Acid (70%)	UNSUITABLE
Ethylamine		Toluene	
Ethylene Glycol		Transformer Oil	
Ethyl Ethanoate		1,1,1-Trichloroethane	
Freon 32		Trichloroethylene	
Hydrochloric Acid (10%)	UNSUITABLE	Turpentine	
Hydrochloric Acid (36%)	UNSUITABLE	Vegetable Oil	
Hydrogen Peroxide (35%)		Vinyl Acetate	
Hydrogen Peroxide (87%)		Water	
Lactic Acid		White Spirit	
Lubricating oil		Zinc Chloride	

The information above is given as a guide only and is based on published technical data and experience. The chemical resistance of the above products is dependant on factors such as chemical exposure, concentration of the chemical and temperature. The above chemicals are valid for a temperature of 23°C. Use of the above table is at the users own discretion and risk. Those using it must satisfy themselves that their application presents no health and safety risks. The end user should assess compatibility with their application and contact Adaptaflex for further information.

IEC 61386 CLASSIFICATION

	Fitting	Compression	Impact	Min temp	Max temp	Bending	Electrical	IP Solids	IP Water	Corrosion	Tensile	Non-Flame Propagation	Suspended Load
S	S	4	4	5	6	4	0	4	0	4	4	1	5



Conduit
High Flexibility – High Fatigue Life

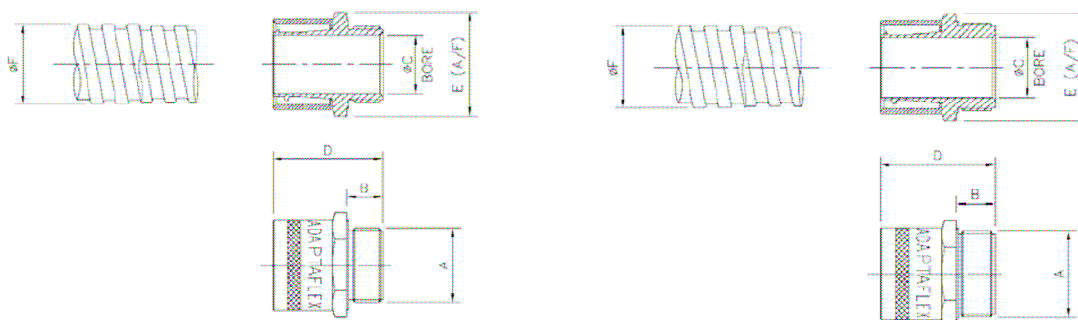
Construction
Stainless Steel – Corrosion Resistant



Metallic
TYPE SS

Dimension charts for associated fittings
TYPE A

Type A fittings (Metric & PG threads)



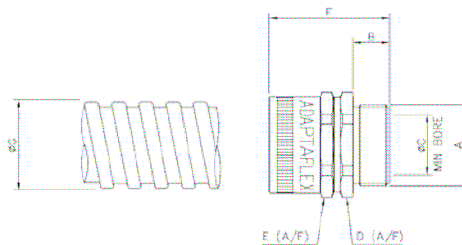
METRIC THREADS

PART No.	THREAD A	NOMINAL DIMENSIONS (mm)					NOMINAL CONDUIT øF
		B	C	D	E		
S10/M12/A	M12 x1.5	8.0	5.5	23.0	14.0	10.0	
S12/M16/A	M16 x1.5	8.0	8.5	25.0	17.0	14.0	
S16/M16/A	M16 x1.5	10.0	11.5	25.5	20.0	17.0	
S16/M20/A	M20 x1.5	10.0	11.5	25.5	22.0	17.0	
S20/M20/A	M20 x1.5	13.0	15.3	29.0	24.0	21.0	
S25/M25/A	M25 x1.5	12.0	19.0	36.5	30.0	26.0	
S32/M32/A	M32 x1.5	14.0	26.2	39.0	38.0	34.0	
S40/M40/A	M40 x1.5	15.0	34.2	43.0	50.0	44.5	
S50/M50/A	M50 x1.5	15.0	45.0	45.0	66.5	55.0	
S63/M63/A	M63 x1.5	20.0	54.0	57.0	76.5	64.5	
S75/M75/A	M75 x1.5	20.0	66.5	60.0	84.0	79.0	

PG THREADS

PART No.	THREAD A	NOMINAL DIMENSIONS (mm)					NOMINAL CONDUIT øF
		B	C	D	E		
S10/PG7/A	PG7	8.0	5.5	23.0	14.0	10.0	
S12/PG9/A	PG9	8.0	8.5	23.0	17.0	14.0	
S16/PG11/A	PG11	10.0	11.5	25.5	20.0	17.0	
S20/PG16/A	PG16	12.0	15.3	29.0	24.0	21.0	
S25/PG21/A	PG21	12.0	19.0	36.5	30.0	26.0	
S32/PG29/A	PG29	14.0	26.2	39.0	38.0	34.0	
S40/PG36/A	PG36	15.0	34.2	43.0	50.0	44.5	
S50/PG42/A	PG42	15.0	45.0	45.0	66.5	55.0	
S63/PG48/A	PG48	20.0	54.0	57.0	76.5	64.5	

Dimension charts for associated fittings
TYPE B



METRIC THREADS

PART No.	THREAD A	NOMINAL DIMENSIONS (mm)						NOMINAL CONDUIT øG
		B	C	D	E	F		
S10/M12/B	M12 x1.5	8.0	5.5	14.0	14.0	29.2	9.0	
S12/M16/B	M16 x1.5	8.0	7.5	17.0	17.0	29.5	13.0	
S16/M16/B	M16 x1.5	8.3	10.2	20.0	20.0	31.6	16.0	
S16/M20/B	M20 x1.5	9.0	10.2	20.0	20.0	32.4	16.0	
S20/M20/B	M20 x1.5	10.0	14.5	24.0	24.0	33.9	20.5	
S25/M25/B	M25 x1.5	12.0	16.9	30.0	30.0	46.0	25.0	
S32/M32/B	M32 x1.5	14.0	24.1	38.0	38.0	47.0	32.0	
S40/M40/B	M40 x1.5	15.0	30.8	50.0	50.0	55.7	42.5	
S50/M50/B	M50 x1.5	15.0	42.5	66.5	66.5	57.9	53.0	



Conduit
High Flexibility – High Fatigue Life

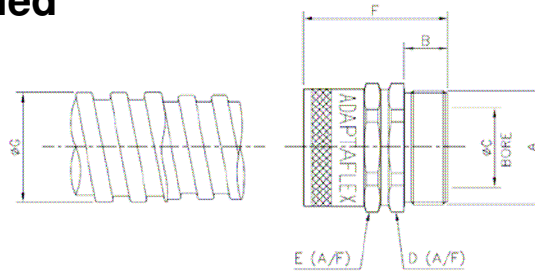
Construction
Stainless Steel – Corrosion Resistant



**Metallic
TYPE SS**

Dimension charts for associated fittings

TYPE B - Continued

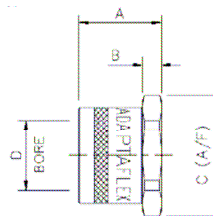


PG THREADS

PART No.	THREAD A	NOMINAL DIMENSIONS (mm)					NOMINAL CONDUIT ϕG
		B	C	D	E	F	
S10/PG7/B	PG7	8.0	4.1	14.0	14.0	29.0	10.0
S12/PG9/B	PG9	7.8	7.5	17.0	16.8	29.5	14.0
S16/PG11/B	PG11	9.0	10.2	20.0	20.0	32.4	17.0
S20/PG16/B	PG16	10.0	14.5	24.0	24.0	33.9	21.0
S25/PG21/B	PG21	12.0	16.9	30.0	30.0	46.0	26.0
S32/PG29/B	PG29	14.0	24.1	38.0	38.0	47.0	34.0
S40/PG36/B	PG36	15.0	30.8	50.0	50.0	55.7	44.5
S50/PG42/B	PG42	15.0	42.5	66.5	66.5	57.9	55.0

Dimension charts for associated fittings

TYPE C



PART No.	TO SUIT CONDUIT	NOMINAL DIMENSIONS (mm)			
		A	B	C	D
S10/9/C	S10	15.5	3.5	14.0	5.5
S12/12/C	S12	15.5	3.5	17.0	8.5
S16/16/C	S16	15.5	3.5	20.0	11.5
S20/20/C	S20	15.5	4.0	24.0	15.3
S25/25/C	S25	22.0	4.0	28.0	19.0
S32/32/C	S32	25.0	5.0	38.0	26.2
S40/40/C	S40	27.5	5.5	54.0	34.2
S50/51/C	S50	28.0	6.0	60.0	45.0
S63/61/C	S63	31.0	7.0	76.0	54.0
S75/75/C	S75	36.0	6.0	84.0	66.5



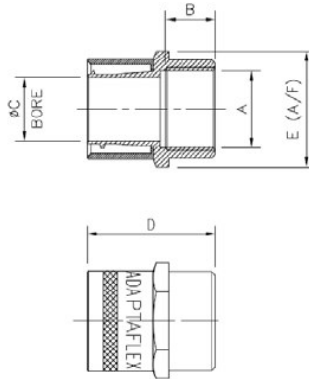
Conduit
High Flexibility – High Fatigue Life

Construction
Stainless Steel – Corrosion Resistant



Metallic
TYPE SS

Dimension charts for associated fittings
TYPE F



PART No.	TO SUIT CONDUIT	THREAD A	NOMINAL DIMENSIONS (mm)			
			B	C	D	E
SP20/M20/F	SP20	M20x1.5	11.0	15.3	27.2	21.0
SP25/M25/F	SP25	M25x1.5	15.0	19.0	38.5	26.0
SP32/M32/F	SP32	M32x1.5	15.0	26.2	41.5	34.0

Fittings associated with S conduit	
A Type	Straight scroll fitting with external thread and ferrule
B Type	Straight scroll swivel fitting with external thread and ferrule
C Type	Smooth entry bush with ferrule
F Type	Straight scroll fitting with female internal thread and ferrule

90° and 45° elbows are also available