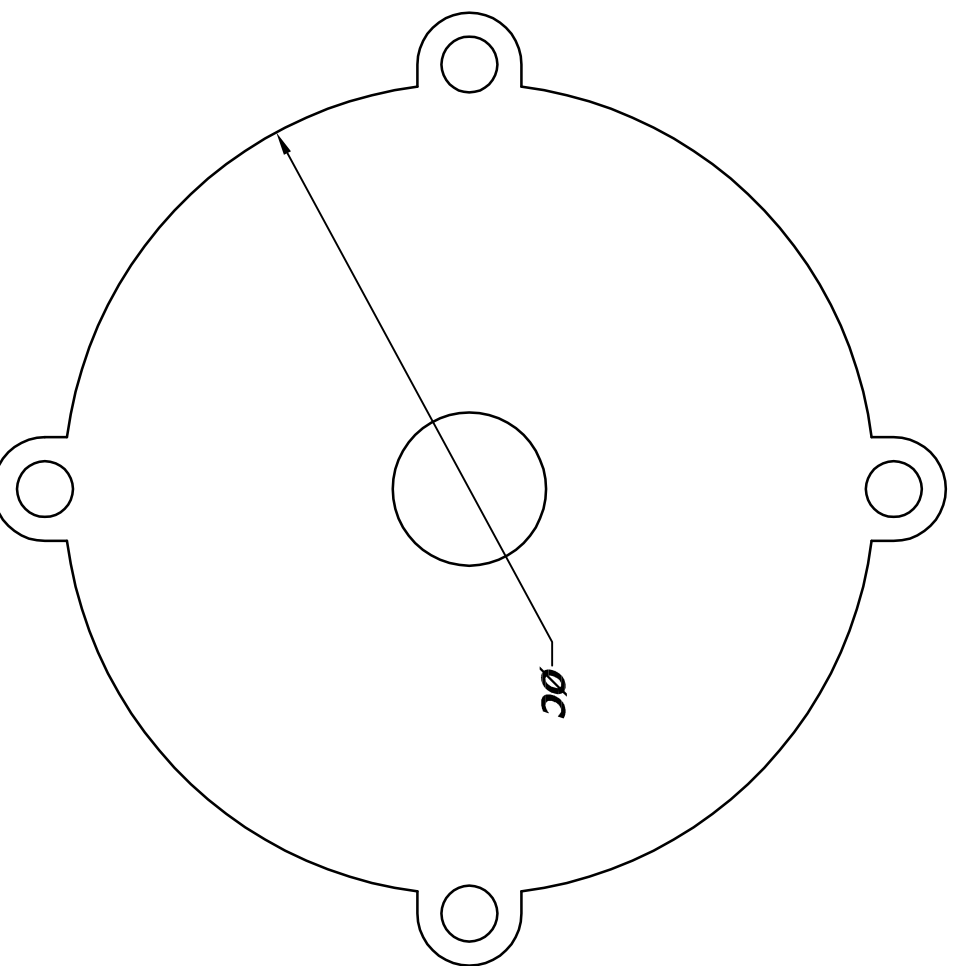
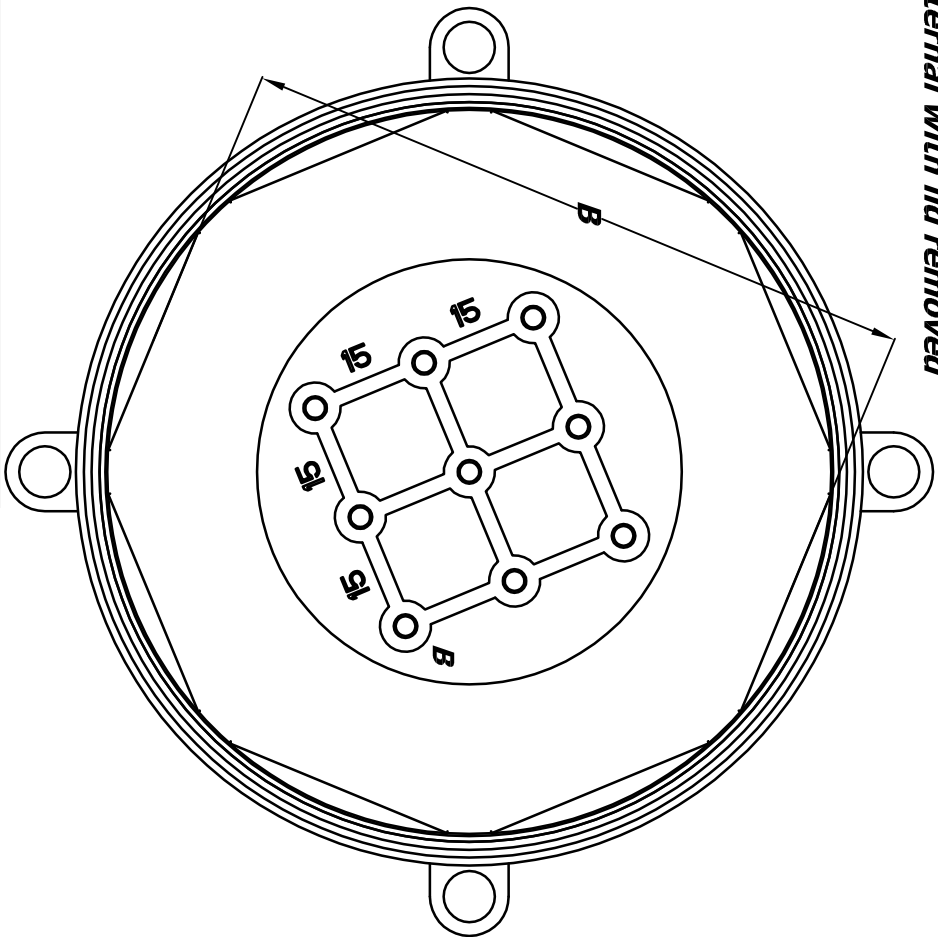


Internal with lid removed



PART NO.	DIMENSIONS (mm)			
	A	B	C	D
MB21/*	37.5	88.5	103	121
MB34/*	55.5	119	138	155



BIRMINGHAM ENGLAND

This drawing/document is a COPYRIGHT and the property of CABLE MANAGEMENT PRODUCTS LTD. It must not be copied (in whole or part) used for manufacture or otherwise disclosed without prior written consent of the company. The Company's policy is one of continuous improvement and it therefore reserves the right to change specifications at any time without notice.

*** SPECIFY COLOUR OPTION**

- BLY** BLACK/YELLOW
- BLB** BLACK/BLUE
- GRY** GREY/YELLOW
- GRB** GREY/BLUE

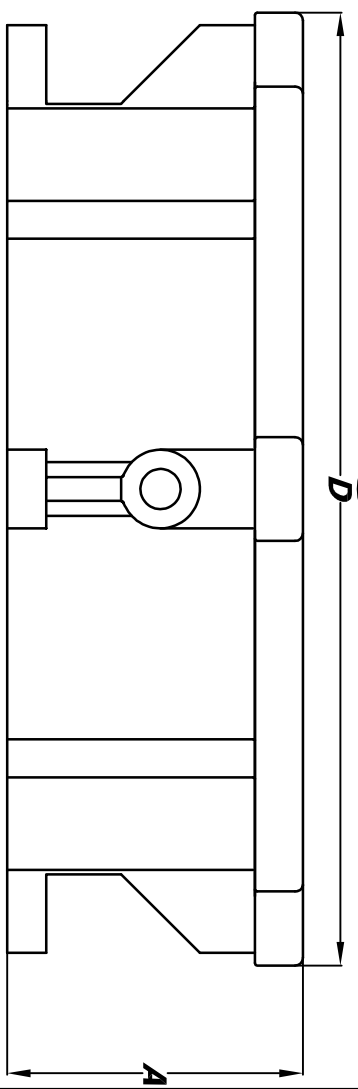
MATERIAL NYLON 66 GF / TPE

FINISH LIGHT SPARK

COLOUR BLACK/GREY + YELLOW/BLUE

NEW ISSUE DATE 17/12/08

CHARTS



TITLE
ADAPTAOK ATS IP68 MB MANIFOLDS