



Material	Messing, vernickelt Edelstahl (weitere Materialien auf Anfrage)	Material	Nickel plated brass Stainless Steel (additional materials on request)
Dichteinsatz	Neoprene / Silikon (Si)	Sealing	Neoprene / Silicone (Si)
Temperaturen	-40°C bis +100°C oder -60°C bis +80°C -70°C bis +220°C (Silikon)	Temperatures	-40°C to +100°C or -60°C to +80°C -70°C to +220°C (Silicone)
Gewinde	metrisch nach EN 60423	Thread	metric acc. to EN 60423
Schutzart	IP54 (IP66/68*)	Protection class	IP54 (IP66/68*)
Zertifikat	LCIE 97 ATEX 6008X/03	Certificate	LCIE 97 ATEX 6008X/03
Kennzeichnung	Ex II 2 GD Ex d IIC / Ex e / Ex tD	Marking	Ex II GD Ex d IIC / Ex e / Ex tD
Zubehör	ab Seite 83	Accessories	see page 83

* mit Dichtung am Gewinde

* with sealing on the thread

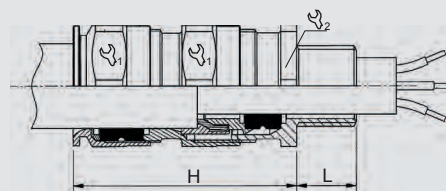
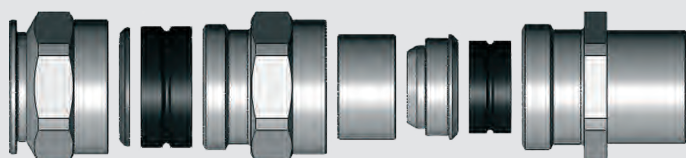
Zulassungen / Approvals:



RoHS



Artikel Article			N°	Gewinde Entry Thread	Klemmbereich Kabelmantel aussen Clamping Range Outer Sheath		Klemmbereich Armierung Clamping Range Armour		Klemmbereich Kabelmantel innen Clamping Range Inner Sheath		1/2	L	H
MS vern. NP brass	MS vern. Sil. NP brass si.	Edelstahl Stainless Steel			≥	≤	≥	≤	≥	≤			
00846404	00846405	00846409	5	M 12 x 1,5	6.0	12.0	0.2	0.90	4.0	8.0	19/19	15	36
00846594	00846595	00846599	5	M 16 x 1,5	6.0	12.0	0.2	0.90	4.0	8.5	19/19	15	36
00846504	00846505	00846509	6	M 16 x 1,5	8.5	16.0	0.2	1.25	6.0	12.0	24/24	15	42
00846674	00846675	00846679	5	M 20 x 1,5	6.0	12.0	0.2	0.90	4.0	8.5	19/24	15	36
00846694	00846695	00846699	6	M 20 x 1,5	8.5	16.0	0.2	1.25	6.0	12.0	24/24	15	42
00846604	00846605	00846609	7	M 20 x 1,5	12.0	21.0	0.2	1.25	8.5	16.0	30/30	15	46
00846774	00846775	00846779	6	M 25 x 1,5	8.5	16.0	0.2	1.25	6.0	12.0	24/30	15	42
00846794	00846795	00846799	7	M 25 x 1,5	12.0	21.0	0.2	1.25	8.5	16.0	30/30	15	46
00846704	00846705	00846709	8	M 25 x 1,5	16.0	27.5	0.2	1.60	12.0	20.5	41/41	15	56
00846894	00846895	00846899	8	M 32 x 1,5	16.0	27.5	0.2	1.60	12.0	21.0	41/41	15	56
00846804	00846805	00846809	9	M 32 x 1,5	21.0	34.0	0.2	1.60	16.0	27.5	48/48	15	63
00846994	00846995	00846999	9	M 40 x 1,5	21.0	34.0	0.2	1.60	16.0	27.5	48/48	15	63
00846904	00846905	00846909	10	M 40 x 1,5	27.0	41.0	0.2	2.00	21.0	34.0	55/55	15	68
00847094	00847095	00847099	10	M 50 x 1,5	27.0	41.0	0.2	2.00	21.0	34.0	55/55	16	68
00847004	00847005	00847009	11	M 50 x 1,5	33.0	48.0	0.2	2.50	27.0	41.0	64/64	16	74
00847294	00847295	00847299	12	M 63 x 1,5	40.0	56.0	0.2	2.50	33.0	48.0	72/72	17	77
00847204	00847205	00847209	13	M 63 x 1,5	47.0	65.0	0.2	2.50	40.0	56.0	85/85	17	85
00847394	00847395	00847399	13	M 75 x 1,5	47.0	65.0	0.2	2.50	40.0	56.0	85/85	18	85
00847304	00847305	00847309	14	M 75 x 1,5	54.0	74.0	0.2	2.50	47.0	65.0	95/95	18	92
00847494	00847495	00847499	14	M 80 x 2,0	54.0	74.0	0.2	3.15	47.0	65.0	95/95	20	92
00847404	00847405	00847409	15	M 80 x 2,0	63.0	83.0	0.2	3.15	54.0	73.0	110/110	20	104
00847594	00847595	00847599	15	M 90 x 2,0	63.0	83.0	0.2	3.15	54.0	74.0	110/110	22	104
00847504	00847505	00847509	16	M 90 x 2,0	72.0	93.0	0.2	3.15	63.0	82.0	120/120	22	108
00847574	00847575	00847579	17	M 90 x 2,0	85.0	107.0	0.2	3.15	63.0	82.0	135/120	22	115
00847794	00847795	00847799	17	M 110 x 2,0	85.0	107.0	0.2	3.15	72.0	92.0	135/135	22	115





Material	Messing, vernickelt Edelstahl (weitere Materialien auf Anfrage)	Material	Nickel plated brass Stainless Steel (additional materials on request)
Dichteinsatz	Neoprene / Silikon (Si)	Sealing	Neoprene / Silicone (Si)
Temperaturen	-40°C bis +100°C oder -60°C bis +80°C -70°C bis +220°C (Silikon)	Temperatures	-40°C to +100°C or -60°C to +80°C -70°C to +220°C (Silicone)
Gewinde	NPT nach ANSI B1.20.1	Thread	NPT acc. to ANSI B1.20.1
Schutzart	IP54 (IP66/68*)	Protection class	IP54 (IP66/68*)
Zertifikat	LCIE 97 ATEX 6008X/03	Certificate	LCIE 97 ATEX 6008X/03
Kennzeichnung	Ex II 2 GD Ex d IIC / Ex e / Ex tD	Marking	Ex II GD Ex d IIC / Ex e / Ex tD
Zubehör	ab Seite 83	Accessories	see page 83

* mit Dichtung am Gewinde

* with sealing on the thread

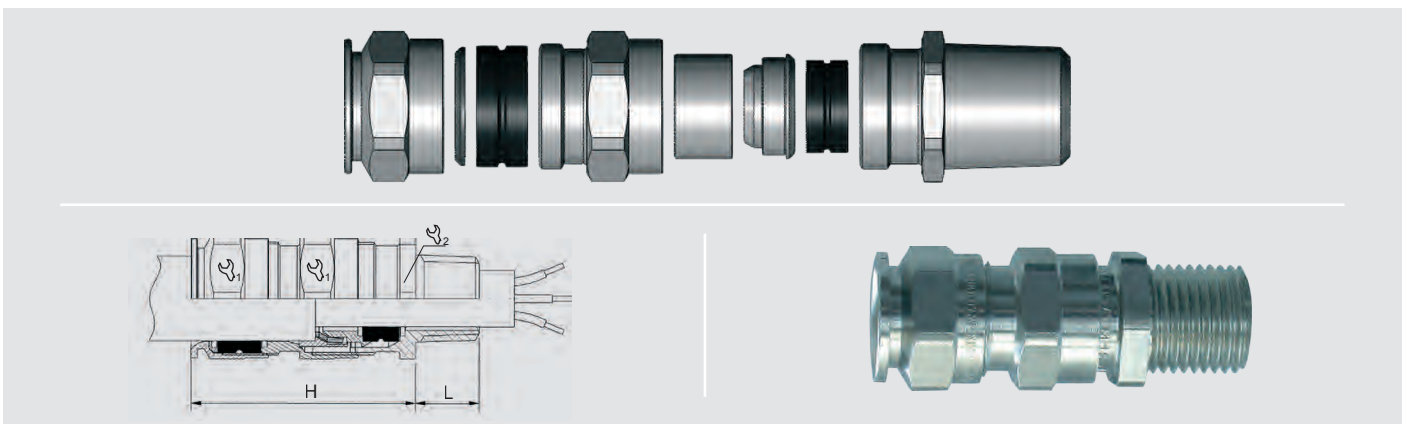
Zulassungen / Approvals:



RoHS



Artikel Article			N°	Gewinde Entry Thread	Klemmbereich Kabelmantel aussen Clamping Range Outer Sheath		Klemmbereich Armierung Clamping Range Armour		Klemmbereich Kabelmantel innen Clamping Range Inner Sheath		1/2	L	H
MS vern. NP brass	MS vern. Sil. NP brass sil.	Edelstahl Stainless Steel			≥	≤	≥	≤	≥	≤			
00848404	00848405	00848409	5	NPT 1/4"	6.0	12.0	0.2	0.90	4.0	8.0	19/19	12.0	36
00848594	00848595	00848599	5	NPT 3/8"	6.0	12.0	0.2	0.90	4.0	8.5	19/19	12.0	36
00848504	00848505	00848509	6	NPT 3/8"	8.5	16.0	0.2	0.90	6.0	12.0	24/24	12.0	42
00848674	00848675	00848679	5	NPT 1/2"	6.0	12.0	0.2	0.90	4.0	8.5	19/24	20.2	36
00848694	00848695	00848699	6	NPT 1/2"	8.5	16.0	0.2	1.25	6.0	12.0	24/24	20.2	42
00848604	00848605	00848609	7	NPT 1/2"	12.0	21.0	0.2	1.25	8.5	15.5	30/30	20.2	46
00848774	00848775	00848779	6	NPT 3/4"	8.5	16.0	0.2	1.25	6.0	12.0	24/30	20.5	42
00848794	00848795	00848799	7	NPT 3/4"	12.0	21.0	0.2	1.25	8.5	16.0	30/30	20.5	46
00848704	00848705	00848709	8	NPT 3/4"	16.0	27.5	0.2	1.60	12.0	20.5	41/41	20.5	56
00848894	00848895	00848899	8	NPT 1"	16.0	27.5	0.2	1.60	12.0	21.0	41/41	25.3	46
00848804	00848805	00848809	9	NPT 1"	21.0	34.0	0.2	1.60	16.0	26.0	48/48	25.3	63
00848994	00848995	00848999	9	NPT 1 1/4"	21.0	34.0	0.2	1.60	16.0	27.5	48/48	26.0	63
00848904	00848905	00848909	10	NPT 1 1/4"	27.0	41.0	0.2	2.00	21.0	34.0	55/55	26.0	68
00849094	00849095	00849099	10	NPT 1 1/2"	27.0	41.0	0.2	2.00	21.0	34.0	55/55	26.5	68
00849004	00849005	00849009	11	NPT 1 1/2"	33.0	48.0	0.2	2.50	27.0	41.0	64/64	26.5	74
00849294	00849295	00849299	12	NPT 2"	40.0	56.0	0.2	2.50	33.0	48.0	72/72	27.2	77
00849204	00849205	00849209	13	NPT 2"	47.0	65.0	0.2	2.50	40.0	53.0	85/85	27.2	85
00849494	00849495	00849499	13	NPT 2 1/2"	47.0	65.0	0.2	2.50	40.0	56.0	85/85	40.5	85
00849404	00849405	00849409	14	NPT 2 1/2"	54.0	74.0	0.2	2.50	47.0	62.5	95/95	40.5	95
00849594	00849595	00849599	15	NPT 3"	63.0	83.0	0.2	3.15	54.0	74.0	110/110	42.0	104
00849504	00849505	00849509	16	NPT 3"	72.0	93.0	0.2	3.15	63.0	78.0	120/120	42.0	108
00849604	00849605	00849609	16	NPT 3 1/2"	72.0	93.0	0.2	3.15	63.0	82.0	120/120	43.2	108
00849704	00849705	00849709	17	NPT 4"	85.0	107.0	0.2	3.15	72.0	92.0	135/135	44.5	115



Industrie

EMV

Druckausgleich
Pressure Balance

Explosionsschutz
Explosion Proof

Zubehör
Accessories

Kopex
Conduit Systems

Gehäusesysteme
Enclosure Systems